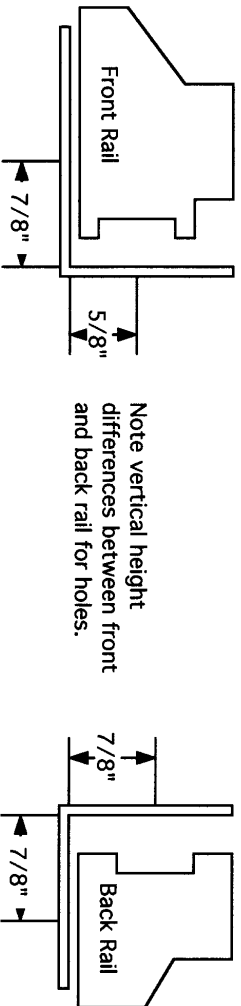
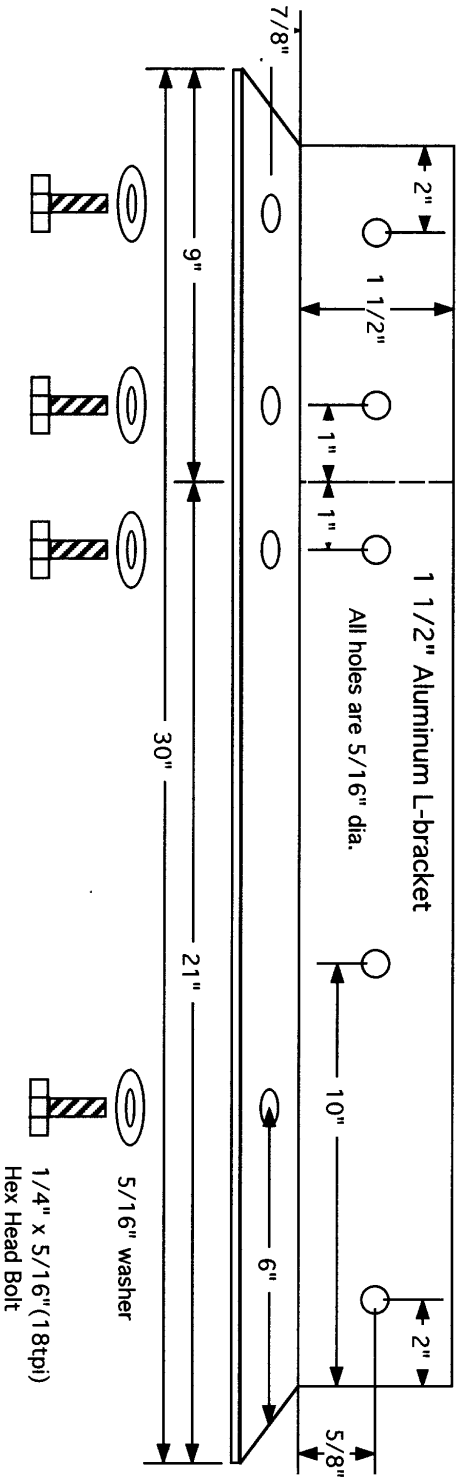
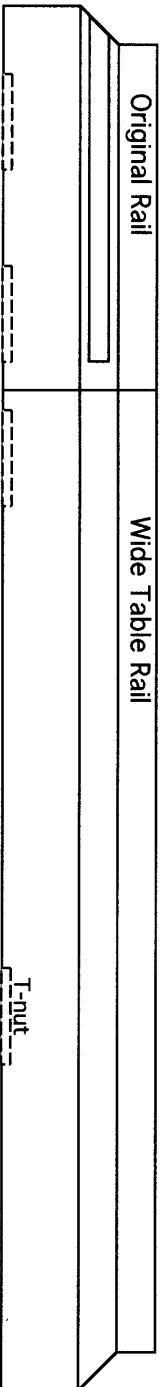


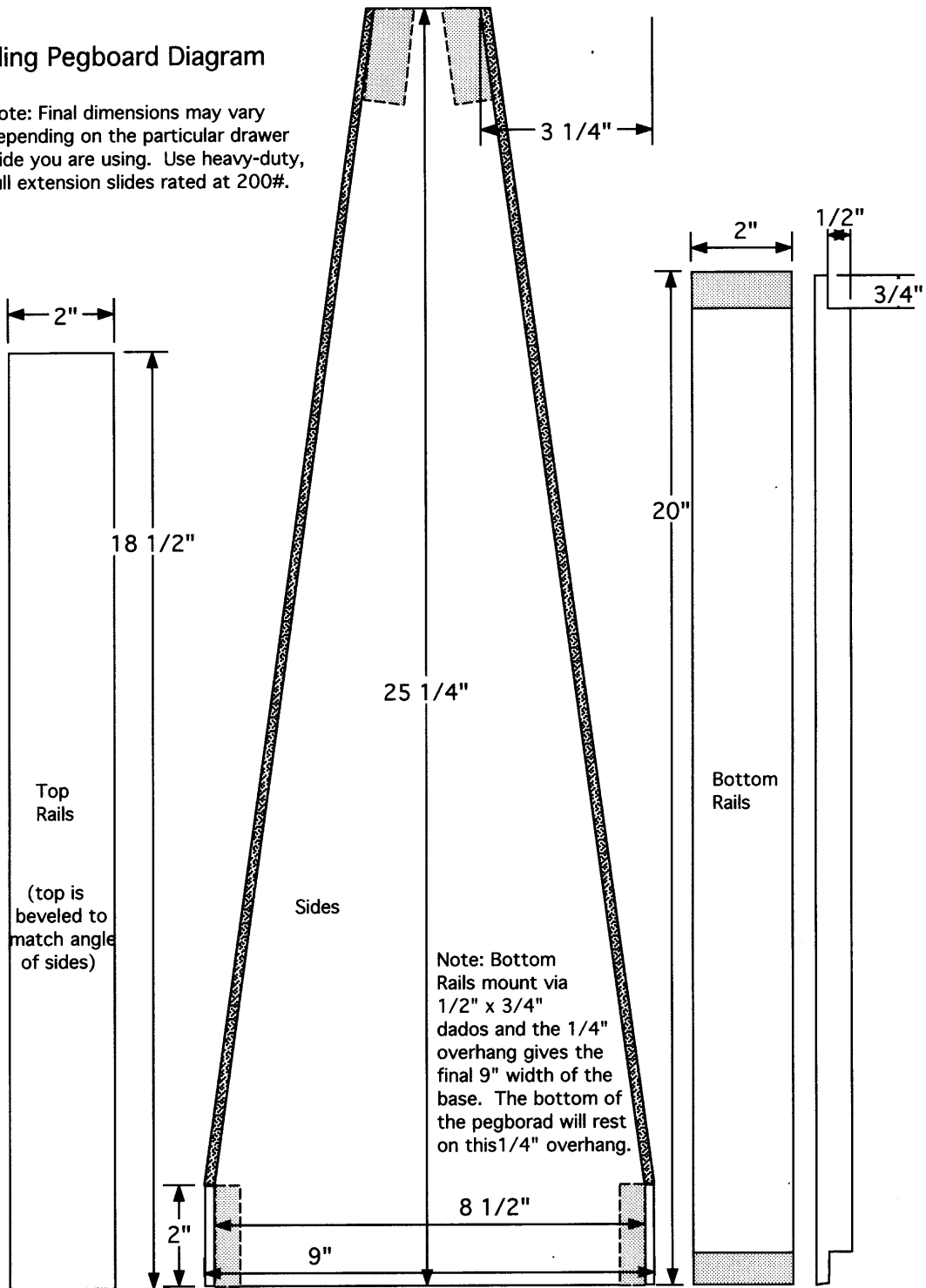
Ryobi BT3000 Mobile Cabinet Plans (not quite to scale)

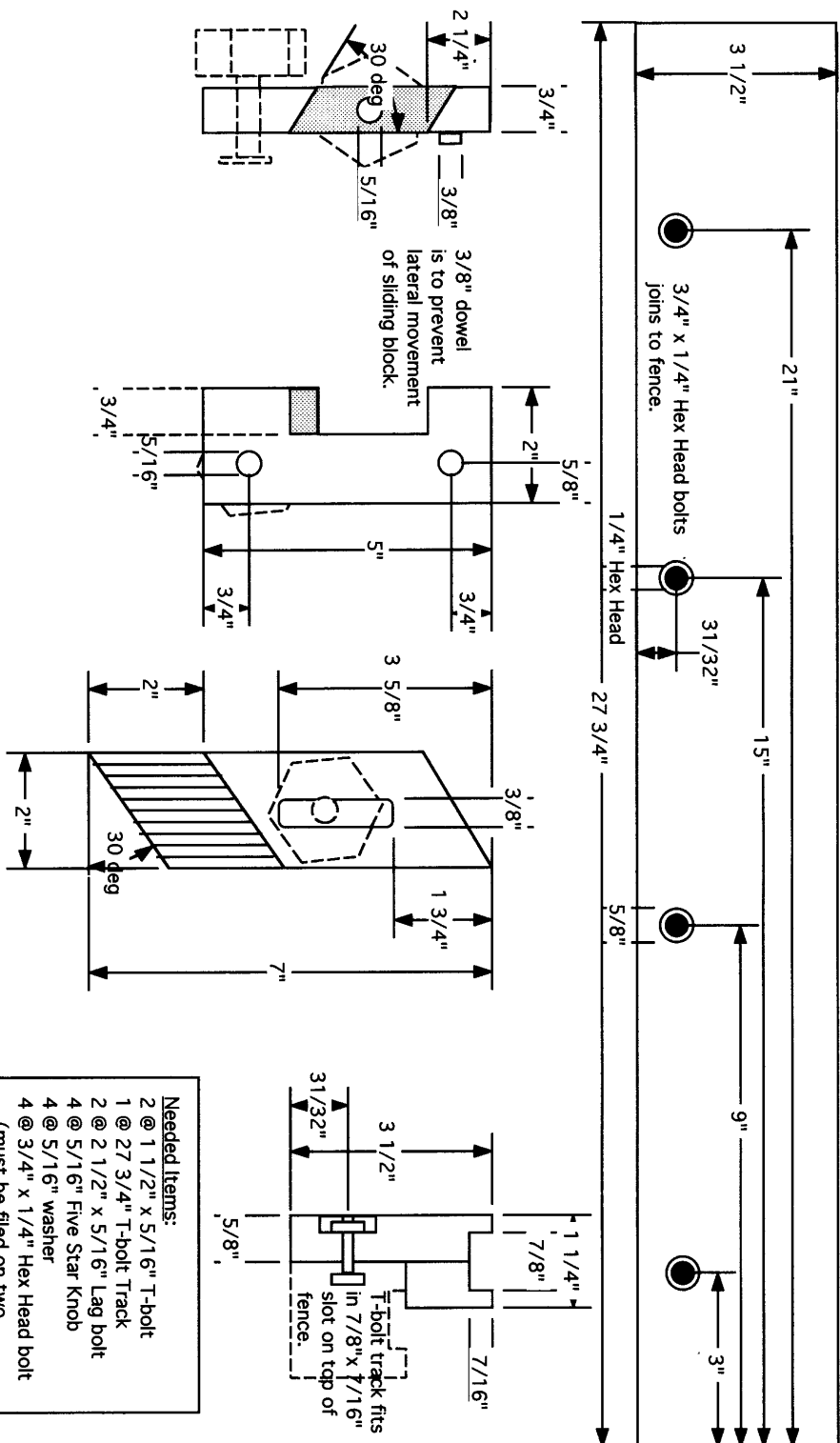


Wide Table Rail Mounting Diagram

Sliding Pegboard Diagram

Note: Final dimensions may vary depending on the particular drawer slide you are using. Use heavy-duty, full extension slides rated at 200#.





- Needed Items:**
- 2 @ 1 1/2" x 5/16" T-bolt
 - 1 @ 27 3/4" T-bolt Track
 - 2 @ 2 1/2" x 5/16" Lag bolt
 - 4 @ 5/16" Five Star Knob
 - 4 @ 5/16" washer
 - 4 @ 3/4" x 1/4" Hex Head bolt
(must be filed on two
opposing sides of head to fit
into slot on rip fence)
 - 4 @ 1/4" Hex Head nut

Auxiliary Rip Fence with Featherboards Diagram