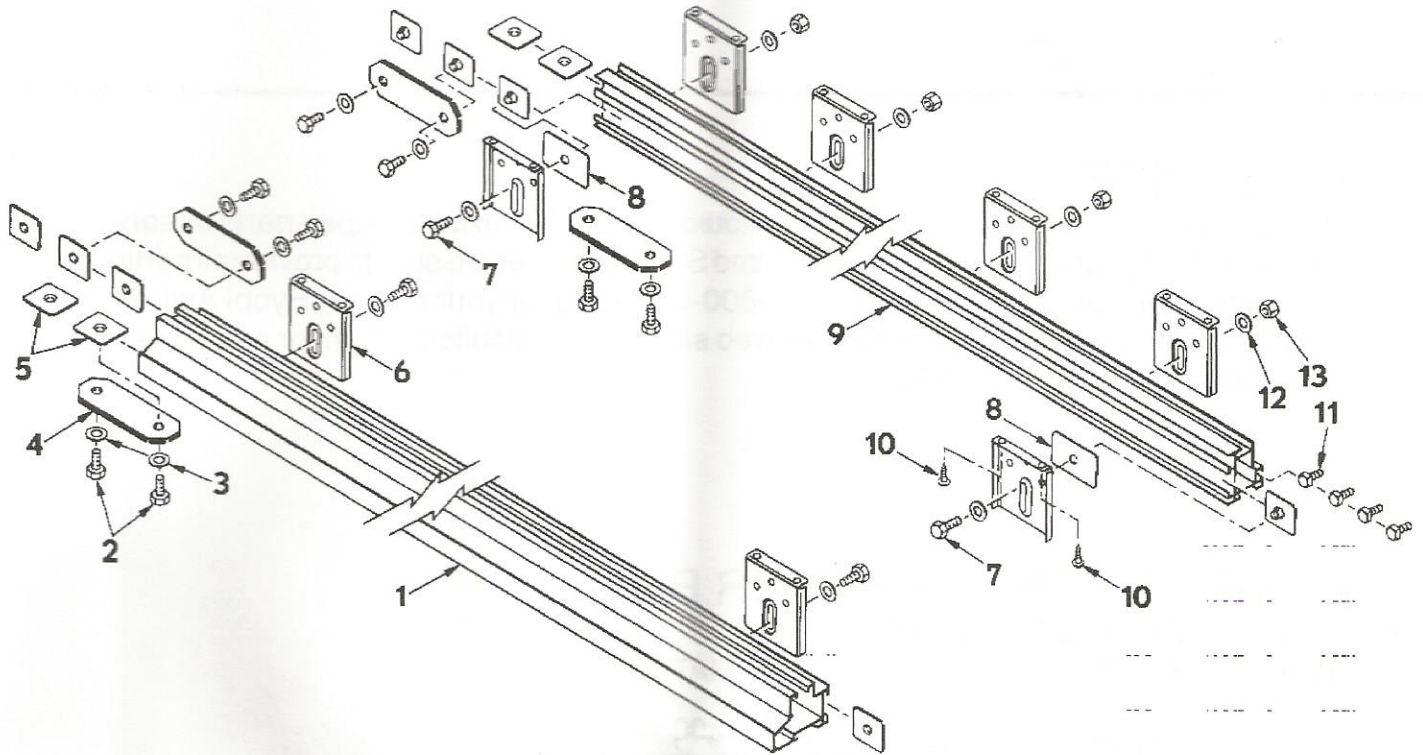


## RYOBI WIDE TABLE KIT NO. 4730300

Now that you have purchased your **Wide Table Kit**, should a need ever exist for repair parts or service, simply contact your nearest Ryobi Authorized Service Center. Be sure to provide all pertinent facts when you call or visit.



## PARTS LIST

Key No.	Part Number	Description	Qty.
1	969117-001	Front Extension Rail.....	1
2	615570-014	* Hex Bolt (5/16-18 x 1/2 in.) .....	10
3	706382-361	* Washer (5/16 in.) .....	12
4	970147-002	Connector .....	4
5	969251-001	T-Nut .....	12
6	970146-002	Table Bracket .....	8
7	615570-008	* Hex Bolt (5/16-18 x 5/8 in.) .....	2
8	661847-002	Spacer .....	2
9	969924-001	Rear Extension Rail.....	1
10	969969-001	* Wood Screw (#10 x 5/8 in. Rd. Hd.).....	16
11	623166-005	* Bolt (1/4-20 x 1/2 in. Sq. Hd.).....	4
12	706382-358	* Washer (1/4 in.) .....	4
13	622171-053	* Hex Nut (1/4-20) .....	4
	972000-219	Operator's Manual (not shown)	

\* STANDARD HARDWARE ITEM — MAY BE PURCHASED LOCALLY